

TIE IRONING BOARD NATY



NATY is a professional ironing board, it has a strong and rectangular shape equipped with suction pump and electrically heated, adjustable in height and tiltable.

Equipped with:

- 3 high efficiency and silent suction pumps that ensure a uniform suction all over the worktop.
- Double lighting to avoid shaded areas on the worktop.
- Balancing system for the iron to prevent work fatigue of the user.
- Thermostat for temperature regulation of the worktop.

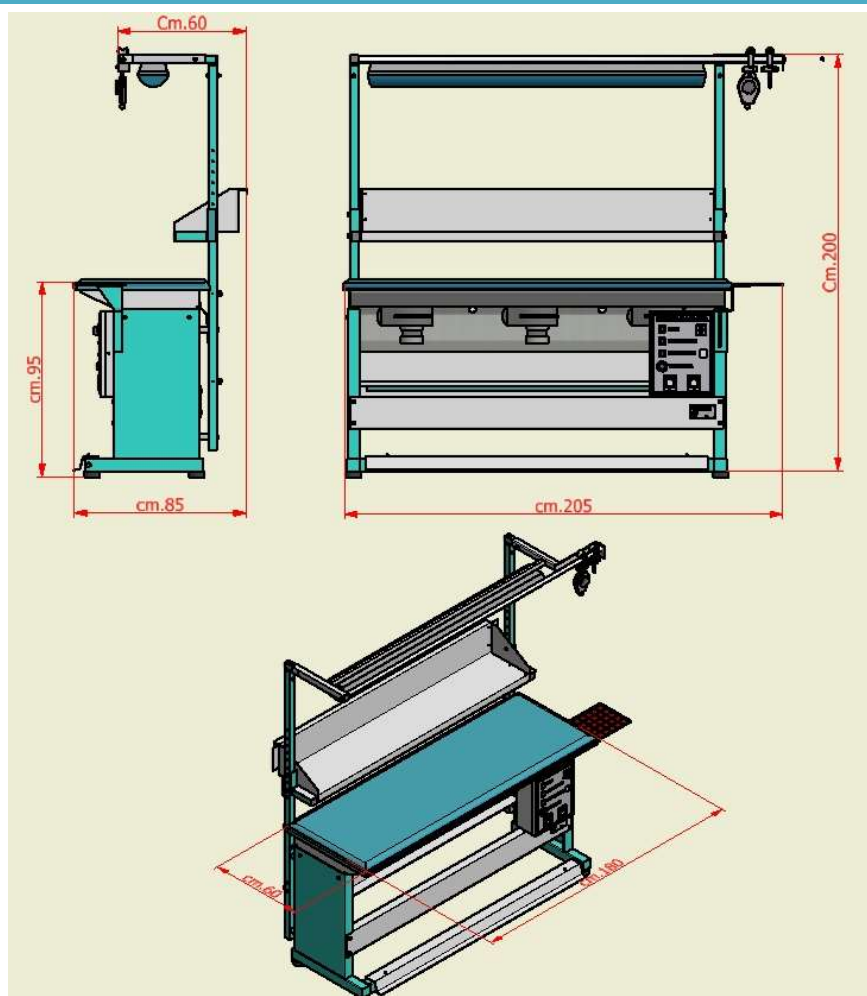
MAIN FEATURES

- 1 Heated worktop. Size: 60 cm x 180 cm
- 2 Tiltable worktop, adjustable in height from 95 cm to 105 cm
- 3 Highly enlightened worktop
- 4 Uniform and silent suction
- 5 Small shelf to place the iron
- 6 Big shelf adjustable in height
- 7 Balancing system to hang the iron
- 8 Pedal along all the length to activate the suction system
- 9 Power sockets to connect the steam generator and other accessories
- 10 It has been certified in accordance with the current law
- 11 High quality components

GENERAL INFORMATION

MACHINE SIZE	cm 205 (L), cm 85 (W), cm 200 (H)
MACHINE WEIGHT	kg 350
LINE VOLTAGE	220V 50Hz
INSTALLED POWER	2KVA (approximate)
ELECTRIC PARTS	Mitsubishi, Schneider electric Cabur
CERTIFICATION	2006/42CE, 2006/95CE, 2004/108/CE, EN292-2, EN 60204-1

Machine size



1 Worktop

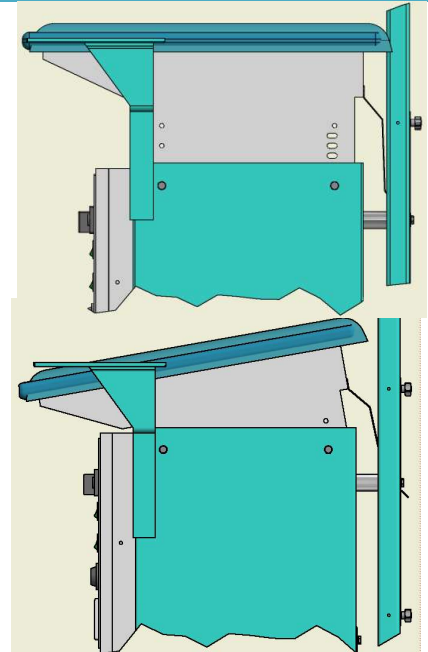
The worktop has been developed to meet the needs of scarf and tie manufacturers. The worktop length is bigger than the usual ironing boards on the market.

To improve the performance, the heated area equipped with the suction system, can be adjusted according to the fabric/product to be ironed.

2 Tiltable and adjustable worktop

According to the height of the user, the worktop is adjustable in height using the 4 screws on the side of the frame. The minimum height is 95 cm, the maximum is 105 cm.

To help the user ironing big size scarves or ties, it's possible to tilt the worktop protecting the physical health of the operator.



3 Worktop lighting

The lighting system consists of two light sources: the first one is parallel to the upper rail, the second one is placed under the big shelf.

The combination of these two light sources avoid any possible shaded area on the worktop, improving the product vision during the ironing process.

4 Suction system

The presence of 3 suction pumps, evenly distributed, allows a homogenous suction along the worktop.

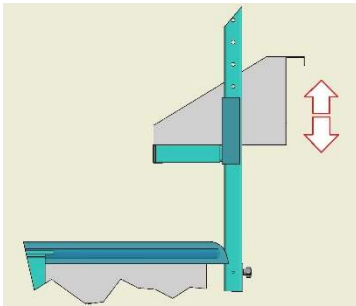
5 Iron shelf

The small shelf, to place the iron during the ironing process, is made of silicone. Furthermore, it is adjustable in height together with the worktop height.

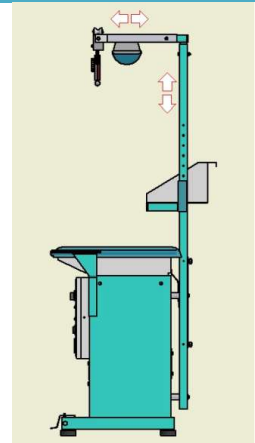


6 Big shelf adjustable in height

The upper rail, where the light is placed, can be adjusted in height and depth.



The big shelf is adjustable in height according to the operator needs.



7 Balancing system to hang the iron

The balancing system, where the iron hangs, reduces the operator fatigue. Moreover, it helps the user to place the iron on the silicone tray quickly during the working changeovers.



8 Pedal to activate the suction system

The suction system can be activated using the pedal placed along all the length of the ironing board NATY.



9 Power sockets

There are two power sockets of 230-volt monophasic, in accordance with the current law. They are necessary to connect the steam generator and other accessories.



10 Certificates

2006/42CE DIRECTIVE OF MACHINE CONFORMITY

REFERENCE TO HARMONISED STANDARDS

EN292-2 SAFETY OF MACHINERY

EN 60204-1 MACHINE SAFETY – ELECTRICAL EQUIPMENT OF MACHINES

11 Components

The ironing board NATY has been certified in accordance with the current European law. All the components reflect the high quality and reliability of the machine.